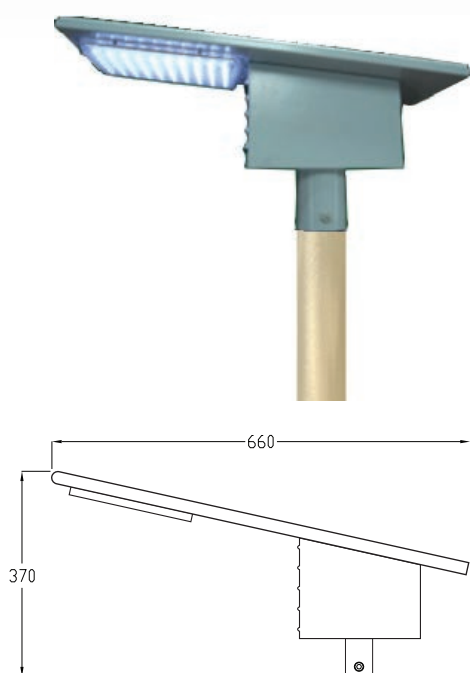


Solutions for Life.™



## PRODUCT SPECIFICATION SHEET (AX-SAC01-60)

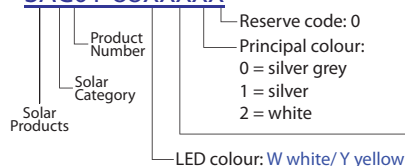
# LED SOLAR 60 STREET LIGHT



### Product Key Features

- Solar powered (14W/20W, 17.4V)
- White/Yellow LED's (60pcs)
- Only 14kg total weight
- Suggested install height is around 4m
- Optimal design for solar powered input and LED illuminating output
- Compact all in one DIY design easy to install
- Maximize solar power efficiency
- Wireless low cost low electricity loss
- Green energy concept design
- Super bright LED homogenous lighting distribution
- Long life duration maintenance free
- Strong housing weather proof design

### SAC01-88XXXXX



Reserve code: 0  
 Principal colour:  
 0 = silver grey  
 1 = silver  
 2 = white

Number of light/watt:  
 1A = 1L14W  
 1B = 1L20W

## Overview

Axent's range of Solar 60 LED Street Lights have a zinc coat plated steel body, mono/multi crystalline silicon 14W/20W 17.4V solar panel and LED lamp house.

Our Solar LED Street Lights are small in size and light weight which assists in lower wind resistance and are suitable for most existing or light weight street poles in existence in most capital cities.

Solar LED street lights have high **220/lumin/3.1lux** luminance efficiency, no pollution and run at a low temperature. This ensures a long life street light which maintains a consistent colour throughout its operational life.

## Applications

- 1) Park
- 2) Seashore
- 3) Desert road
- 4) Town house
- 5) Country road
- 6) Private garden
- 7) Riverside drive
- 8) Agricultural field
- 9) Penthouse garden